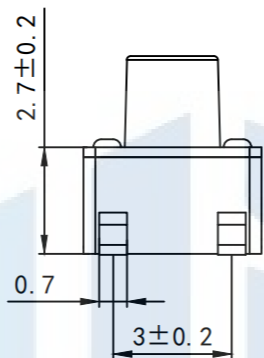
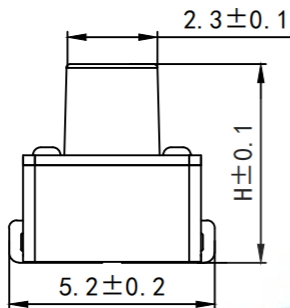
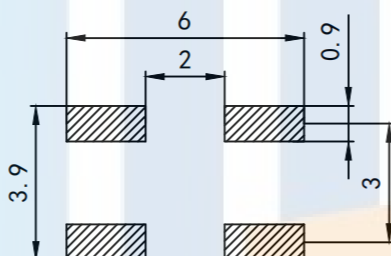
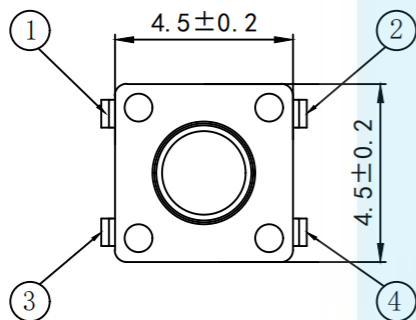
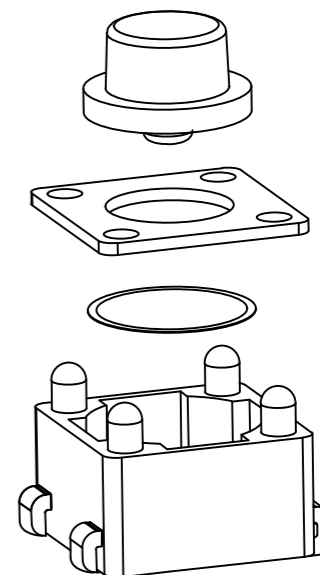


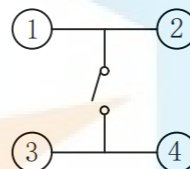
RoHS2.0  
Compliant



H	
3.5	3.8
4.0	4.3
4.5	4.8
5.0	6.0
7.0	8.0
9.0	10.0



PCB. 焊接图



电路图

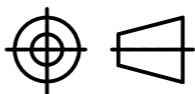
Key Technical Specifications:

1. Rating: 50mA DC12V
2. Contact resistance:  $\leq 100m\Omega$
3. Operating force:  $250 \pm 50gf$
4. Itinerary:  $0.20 \pm 0.1mm$
5. Insulation resistance:  $\geq 100M\Omega$
6. Electrical strength: 250V 50HZ 1Min.
7. life span: 100,000 Cycles

TOLERANCE

X. XXX	$\pm 0.05$
X. XX	$\pm 0.15$
X. X	$\pm 0.20$
X.	$\pm 0.30$
ANGLE	$\pm 5.0^\circ$

PROTECTON



东莞市恒祺电子科技有限公司  
Dongguan Hengqi Electronic Technology Co., Ltd

<https://www.hq-dz.com>

phone: 15812872448

TITLE:  
轻触开关

PART NO: HQ-TS-C015C

DRAWING NO: 4.5\*4.5\*H包脚

DRAWN:

DATE: 18-10-08

UNIT:  
mm

CHECKED:

DATE: 18-10-08

SCALE:  
FULL

APPROVED:

DATE: 18-10-08

SIZE:  
A4